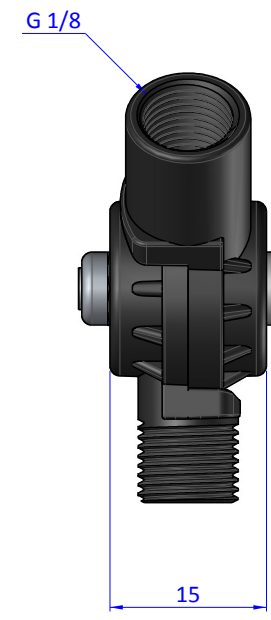
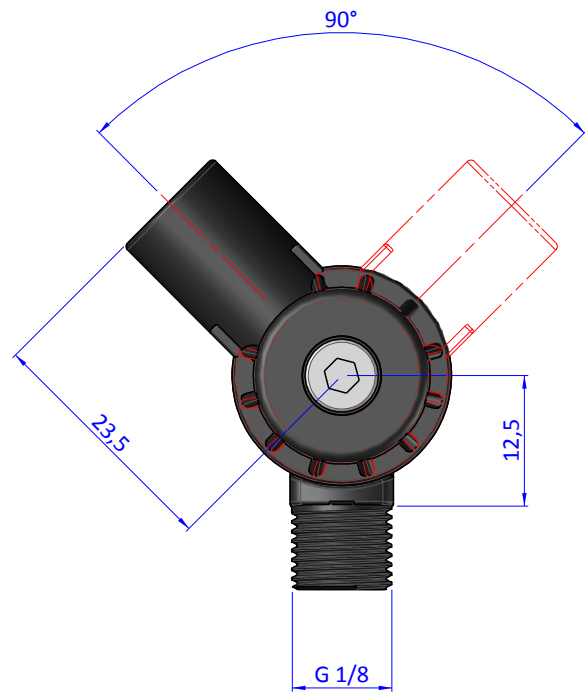
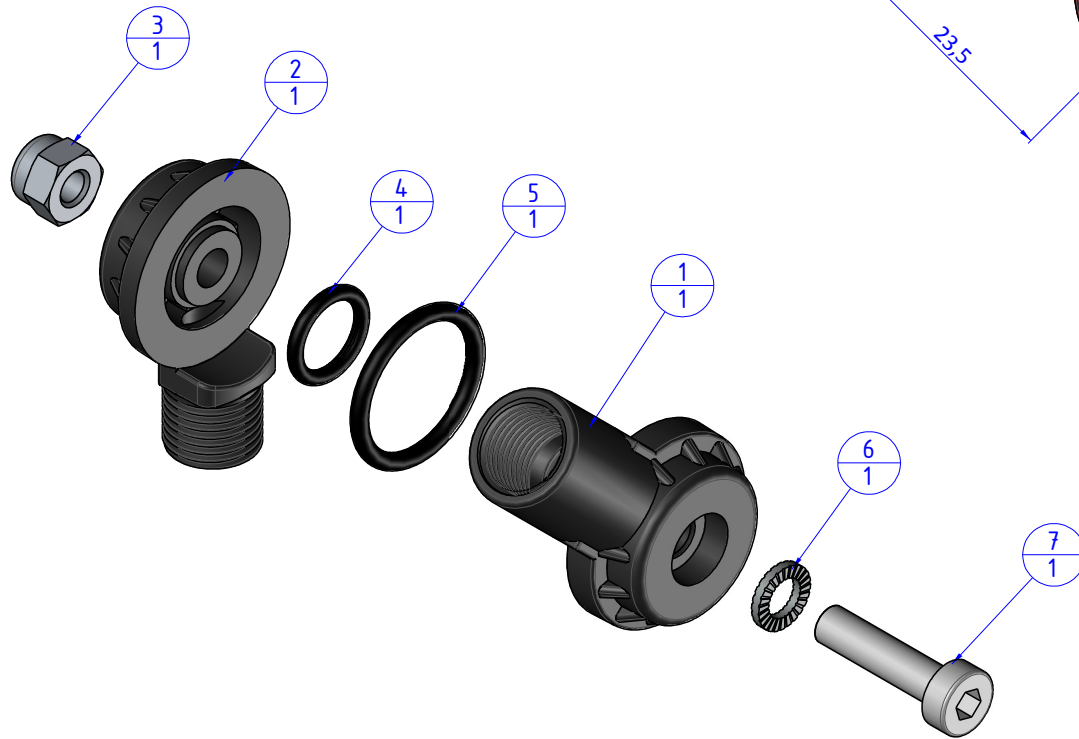


THE PROPERTY OF THE DRAWING IS ESTABLISHED BY LAW. IT IS FORBIDDEN TO PRODUCE OR SHOW IT TO THIRD PARTY, WITHOUT A WRITTEN AGREEMENT.

Item	Name	Q.ty
1	07.01.001.1	1
2	07.01.001.2	1
3	D.4AUT	1
4	OR.2018	1
5	OR.2056	1
6	R.4.SCH	1
7	V.TBCE4x16	1



Format A3  
UNI 936-76

<b>FP SERVICES</b> AUTOMATION		DESIGNED FROM FPSERVICES	REVIEW A
GENERAL TOLERANCE UNI - ISO 2768 CLASSE f	DESCRIPTION CA.07.01.001	DATE 27/02/2019	WEIGHT 0,007Kg
		CODE CA.07.01.001	